



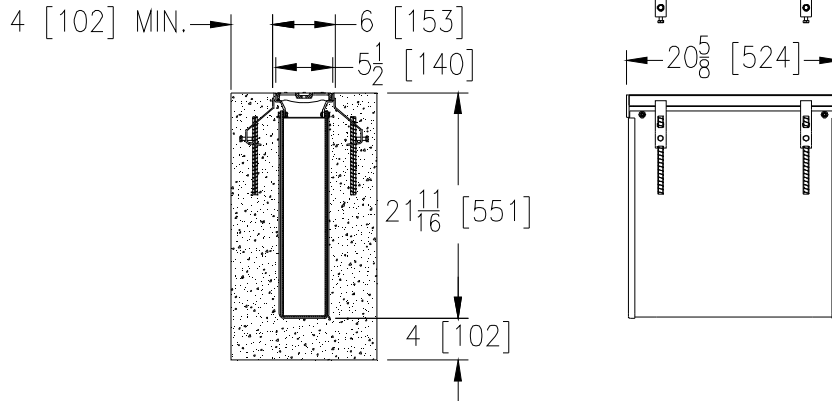
# ZFV817-6

## 6 [159] x 20 [510] REVEAL FIBER REINFORCED VINYLESTER CATCH BASIN

TAG \_\_\_\_\_

Dimensional Data (inches and [ mm ]) are Subject to Manufacturing Tolerances and Change Without Notice

SPECIFYING ENGINEER IS RESPONSIBLE FOR  
CONCRETE ENCASEMENT AND REINFORCING  
BASED UPON APPLICATION AND LOCAL CODES



### ENGINEERING SPECIFICATION: Zurn ZFV817-6

Catch Basin shall be 6 [152] wide, 20 [508] long reveal and 21-1/2 [546] deep. The body shall be made of 0% water absorbent Fiber Reinforced Vinylester. Catch basin shall weigh less than 11 bs. [5kg] per linear foot. Shall be provided with standard loose set DGC grates that are not intended for dynamic traffic loadings. Zurn 6 [152] wide reveal Ductile Iron Slotted Grate conforming to ASTM specification A536, Grade 80-55-06. Ductile Iron grate is rated class C per the DIN EN1433 top load classifications. Supplied in 20 [508] nominal lengths with 1/2 [13] wide slots, and 3/4 [19] bearing depth. Grate has an open area of 28.6 sq. in per ft. [60,521 sq. mm per meter]. The #10 gage thick Heavy-Duty Frame Assembly conforms to ASTM specification A36. Frames shall mechanically lock into the concrete surround at a maximum spacing of 14 [356] with four rebar attachment brackets as standard to secure the basin in its final location. The frame is supplied with a powder coated finish. All welds must be performed by a certified welder per ASTM standard AWS D1.1. Basin has a 94-5VA flammability rating per ASTM D5048 and a V-0 flammability rating per ASTM D3801. Frame and Basin shall be produced in the U.S.A.

### PREFIX OPTIONS (Check/specify appropriate options)

\_\_\_ ZFV 6 inch by 20 inch Fiber Reinforced Vinylester\*

### SUFFIX OPTIONS (Check/specify appropriate options)

#### Outlet Adapters Add/Each

\_\_\_ -E4 4 [102] No-Hub End Outlet      \_\_\_ -U4 4 [102] No-Hub Bottom Outlet  
\_\_\_ -E6 6 [152] No-Hub End Outlet      \_\_\_ -U6 6 [152] No-Hub Bottom Outlet  
\_\_\_ -E8 8 [204] No-Hub End Outlet      \_\_\_ -U8 8 [204] No-Hub Bottom Outlet

#### Grate Options (Load Classifications are per DIN EN1433)

\_\_\_ -BCD Bronze Circular Decorative Grate - Class A  
\_\_\_ -BDC Black Acid Resistant Epoxy Coated Ductile Grate - Class C  
\_\_\_ -BDE Black Acid Resistant Epoxy Coated Ductile Grate - Class E  
\_\_\_ -DC Ductile Iron Solid Cover - Class C  
\_\_\_ -DGC Ductile Iron Slotted Grate - Class C \*  
\_\_\_ -DGE Ductile Iron Slotted Grate - Class E  
\_\_\_ -GDC Galvanized Ductile Slotted Grate - Class C  
\_\_\_ -GDE Galvanized Ductile Slotted Grate - Class E  
\_\_\_ -GHPD Galvanized Heel-Proof Ductile Grate - Class C  
\_\_\_ -GHPDE Galvanized Heel-Proof Ductile Grate - Class E  
\_\_\_ -HPD Heel-Proof Ductile Slotted Grate - Class C  
\_\_\_ -HPDE Heel-Proof Ductile Slotted Grate - Class E  
\_\_\_ -HPP Heel-Proof Polyethylene Grate - Class A  
\_\_\_ -LD Ductile Iron Longitudinal Slotted Grate - Class B  
\_\_\_ -RFG Reinforced Galvanized Steel Slotted Grate - Class B  
\_\_\_ -RFS Reinforced Stainless Steel Slotted Grate - Class B  
\_\_\_ -RPG Reinforced Galvanized Perforated Grate - Class B  
\_\_\_ -RPS Reinforced Stainless Steel Perforated Grate - Class B

#### Decorative Grate Options (Load Classifications are per DIN EN1433)

\_\_\_ -BCD Bronze Circular Decorative Grate - Class A  
\_\_\_ -BDD Bronze Diagonal Decorative Grate - Class A  
\_\_\_ -DCD Ductile Iron Circular Decorative Grate - Class C  
\_\_\_ -DDD Ductile Iron Diagonal Decorative Grate - Class A  
\_\_\_ -DOG Ductile Iron Decorative Grate - Class A  
\_\_\_ -DWV Ductile Wave Decorative Grate - Class A  
\_\_\_ -HPB Heel-Proof Bronze Slotted Grate - Class A  
\_\_\_ -HPS Heel-Proof Stainless Steel Slotted Grate - Class A  
\_\_\_ -SBG Stainless Steel Bar Grate - Class E  
\_\_\_ -SCD Stainless Steel Circular Decorative Grate - Class B  
\_\_\_ -SDD Stainless Steel Diagonal Decorative Grate - Class B  
\_\_\_ -SOG Stainless Steel Decorative Grate - Class B

#### Miscellaneous Options

\_\_\_ -FT Foul Air Trap  
\_\_\_ -IA Inlet Adapter  
\_\_\_ -Y Sediment Bucket

#### MADE in the U.S.A. (Load Classifications are per DIN EN1433)

\_\_\_ -AWG Aluminum Wire Grate - Class A  
\_\_\_ -BDE-USA Black Acid Resistant Epoxy Coated Ductile Grate - Class E  
\_\_\_ -DGC-USA Ductile Iron Slotted Grate - Class C  
\_\_\_ -DGE-USA Ductile Iron Slotted Grate - Class E  
\_\_\_ -FG Fabricated Galvanized Steel Slotted Grate - Class A  
\_\_\_ -FS Fabricated Stainless Steel Slotted Grate - Class A  
\_\_\_ -GDC-USA Galvanized Ductile Slotted Grate - Class C  
\_\_\_ -GDE-USA Galvanized Ductile Slotted Grate - Class E  
\_\_\_ -PG Perforated Galvanized Steel Grate - Class A  
\_\_\_ -PS Perforated Stainless Steel Grate - Class A  
\_\_\_ -PPC Plastic Perforated Grate - Class C

#### Decorative MADE in the U.S.A. (Load Classifications are per DIN EN1433)

\_\_\_ -BZ Bronze Decorative Grate - Class A  
\_\_\_ -NBZ Nickel Bronze Decorative Grate - Class A  
\_\_\_ -PSR Perforated Stainless Steel Raised Grate - Class A  
\_\_\_ -SWG Stainless Steel Wire Grate - Class A

\*REGULARLY FURNISHED UNLESS OTHERWISE SPECIFIED

REV. B      DATE: 12/01/11      C.N. NO. 122488  
DWG. NO. 307086      PRODUCT NO. ZFV817-6